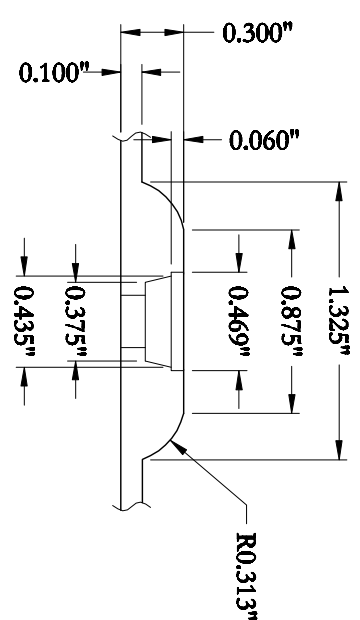
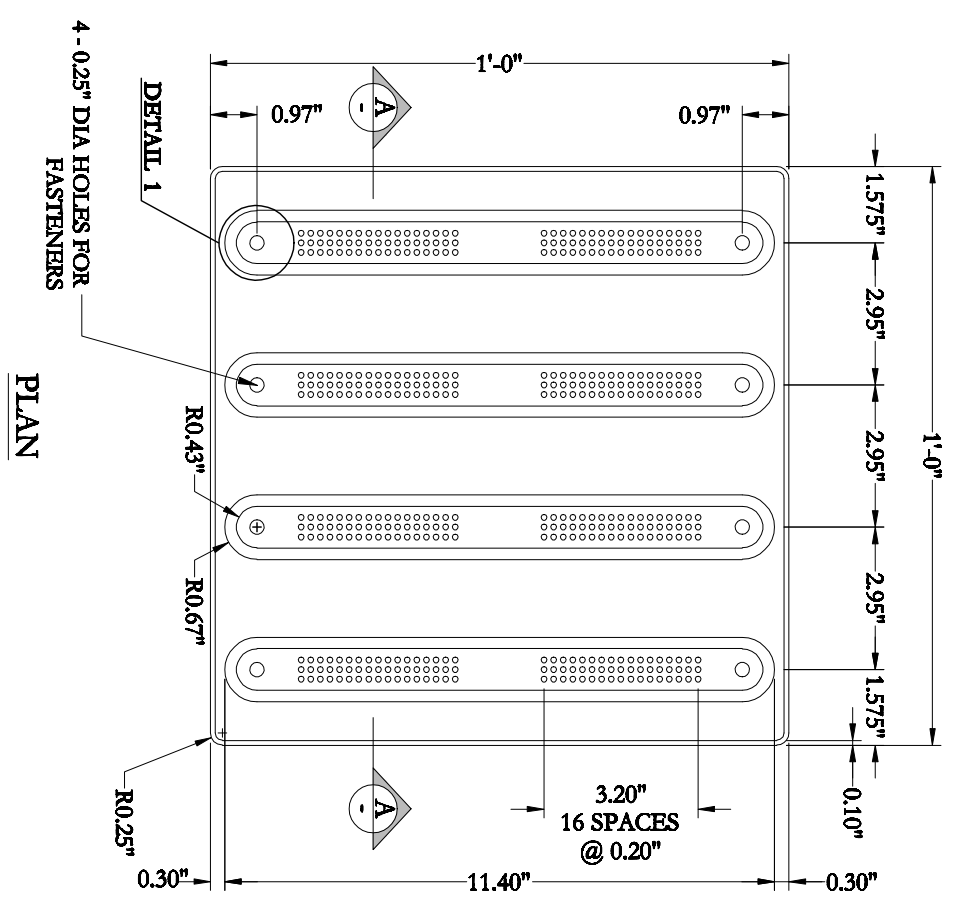
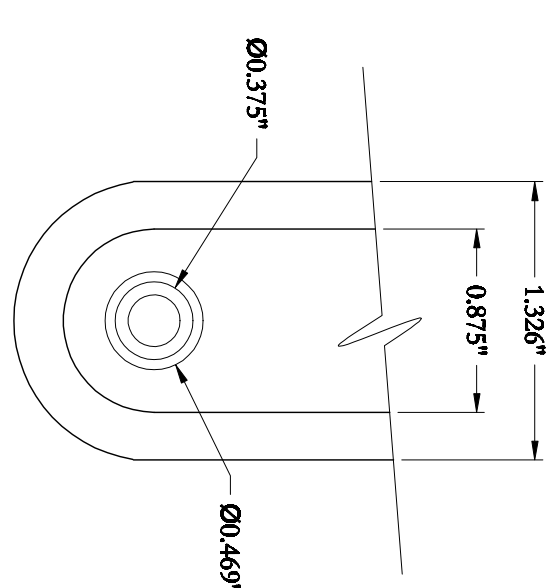


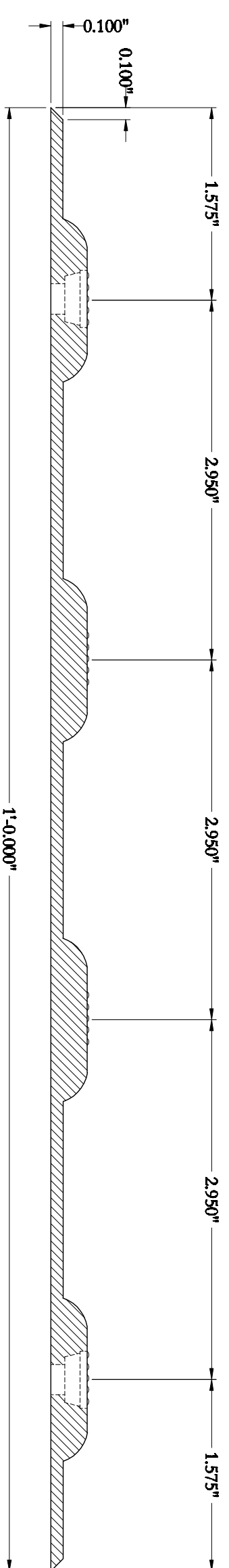
© 2007 ENGINEERED PLASTICS
 CONFIDENTIAL AND PROPRIETARY DOCUMENT
 ANY ONE OR MORE OF THE FOLLOWING
 PATENTS MAY APPLY
 U.S. PATENT NO. 5,303,669 5,775,835
 6,449,790 AND 6,895,622 B2
 C.D.N: PATENT NO. 2,032,552 2,070,984
 US PATENTS PENDING.
 © KENNETH E. SZEKELY

MATERIAL LIST

ITEM	DESCRIPTION	PART NO.	QTY
1	ARMOR TILE D.D.T.	ADD-503	1
2	S.S. ANCHORS	AT-1100-CC	8



SECTION B-B
 CONCEALED MECHANICAL FASTENING



SECTION A-A

SCALE	N.T.S.		
DESIGNED	BY	K.E.S.	DATE
DRAWN	A.M.		02/05/07
CHECKED			
PROJECT MANAGER			
TRADE	DETECTABLE WARNING SURFACE	PART NO.	SEE MATERIAL LIST
MATERIAL	VITRIFIED POLYMER COMPOSITE		
SUBJECT	Armor-tile TACTILE TILE WARNING DETECTABLE DIRECTIONAL SURFACE SYSTEM		
PROJECT	DETECTABLE DIRECTIONAL SURFACE TILE PLANS AND DETAILS MATERIAL DRAWING		
DRAWING NO.	ADD-503 (12x12)	REV. NO.	0