

© 2007 ENGINEERED PLASTICS
 CONFIDENTIAL AND PROPRIETARY DOCUMENT
 ANY ONE OR MORE OF THE FOLLOWING
 PATENTS MAY APPLY
 U.S. PATENT NO. 5,303,669 5,775,835
 6,449,790 AND 6,895,622 B2
 C.D.N. PATENT NO. 2,032,532 2,070,984
 US PATENTS PENDING;
 © KENNETH E. SZEKELY

MATERIAL LIST

ITEM	DESCRIPTION	PART NO.	QTY
1	ARMOR TILE D.D.T.	ADD-502	1
2	S.S. ANCHORS	AT-1100-CC	24

1	05/05/01	REVISED INSTALLATION DETAIL	D.D.
0	04/27/01	ISSUED	K.S.
No.	DATE	REVISION	APPR.

SCALE

N.T.S

DESIGNED	BY	K.E.S.	DATE	08/90
DRAWN		M.D.		
CHECKED				

PROJECT MANAGER

TRADE	DETECTABLE WARNING SURFACE	PART NO.	SEE MATERIAL LIST
MATERIAL	VITRIFIED POLYMER COMPOSITE		

SUBJECT

Armor-Tile
 TACTILE TILE
 DETECTABLE DIRECTIONAL WARNING
 SURFACE SYSTEM

PROJECT

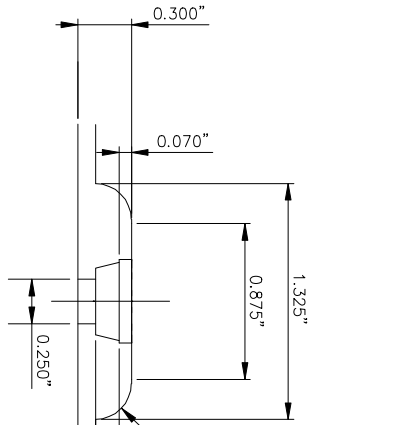
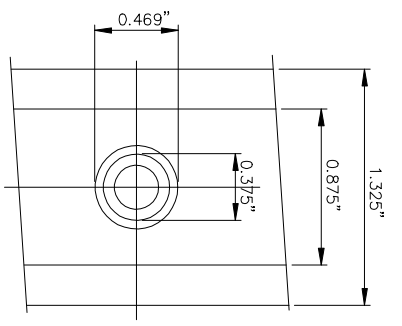
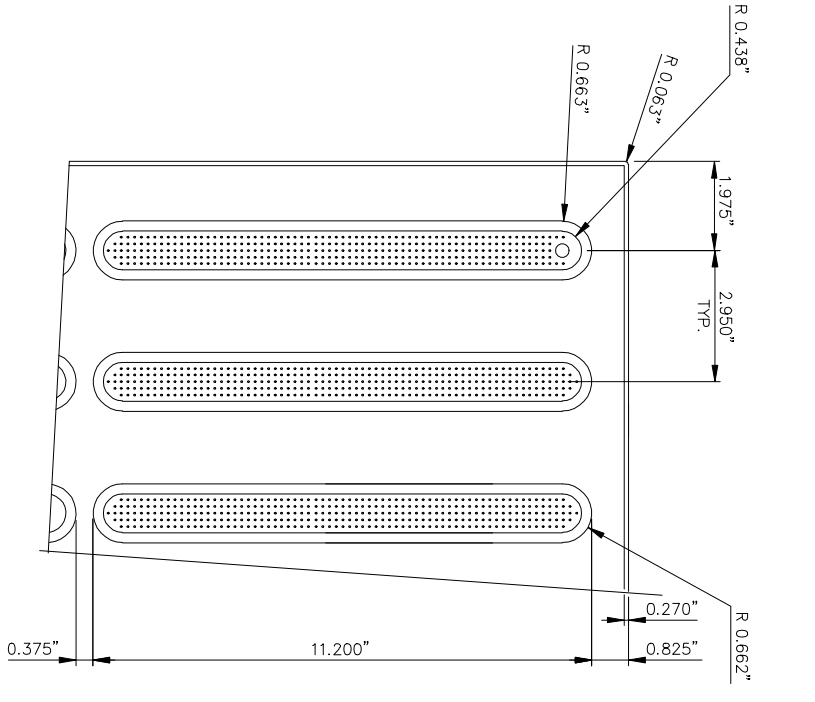
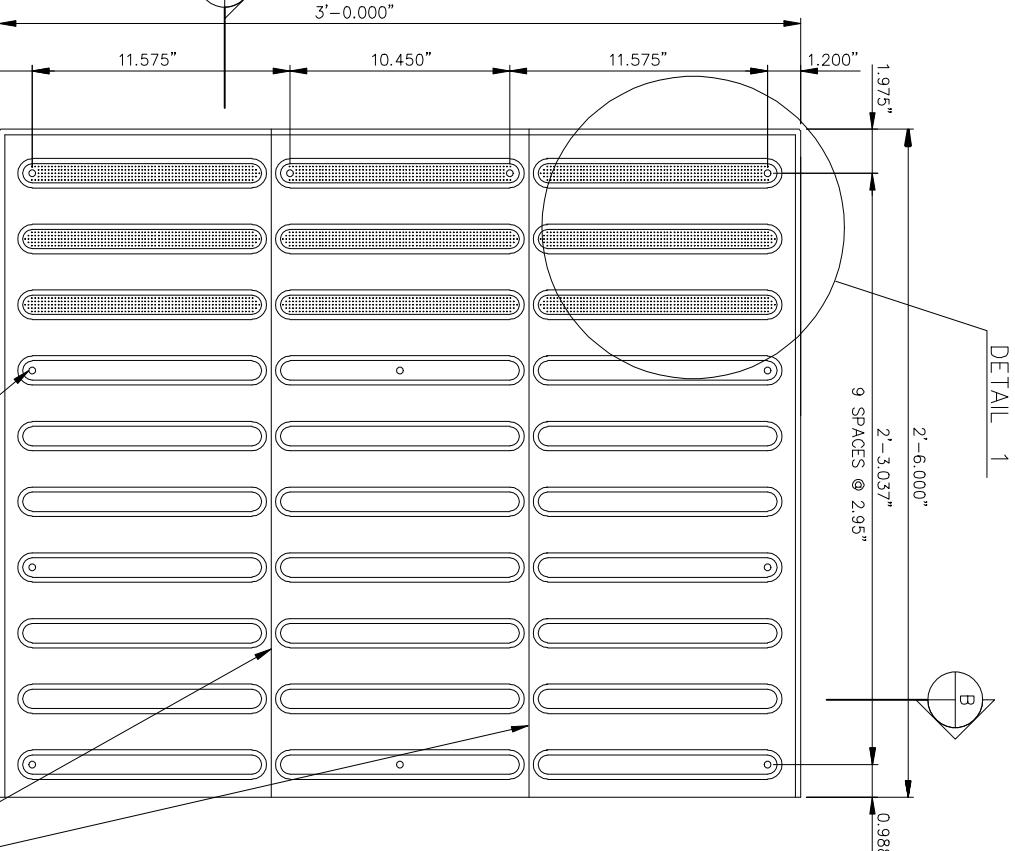
DETECTABLE DIRECTIONAL
 SURFACE TILE
 PLANS AND DETAILS
 MATERIAL DRAWING

DRAWING NO.

ADD-502 (36x60)

REV. NO.

1



DETAIL 2
 CONCEALED MECHANICAL FASTENING SYSTEM
 FULL SCALE

