

© 2013 ENGINEERED PLASTICS
 CONFIDENTIAL AND PROPRIETARY DOCUMENT
 ANY ONE OR MORE OF THE FOLLOWING
 PATENTS MAY APPLY
 U. S. PATENT NO. 5,303,669, 5,775,835,
 6,449,790, AND 6,895,622 BS
 C.D.N. PATENT NO. 2,032,532, 2,070,984
 US PATENTS PENDING.
 © KENNETH E. SZEKELY

MATERIAL LIST

#	DESCRIPTION	PART No:	QTY
1	ARMOR-TILE	ADA-S-3660-W	1
2	EXPANSION ANCHOR	ADA-S-ANCH	15
3	TACTILE BOND AND SEAL	TBS-010	2

** COLOR CODE
 YELLOW (YW), RED (RD), BLACK (BK),
 DARK GRAY (DG), LIGHT GRAY (LG),
 WHITE (WH), OCHRE YELLOW (OC),
 BLUE (BL), COLONIAL RED (CR)
 CUSTOM COLORS AVAILABLE

No:	DATE	REVISION	APPR.

SCALE

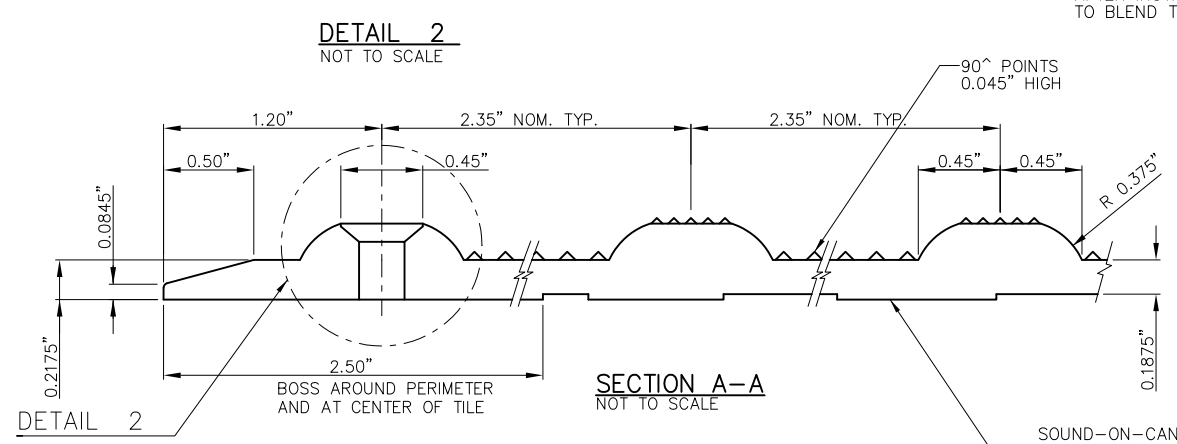
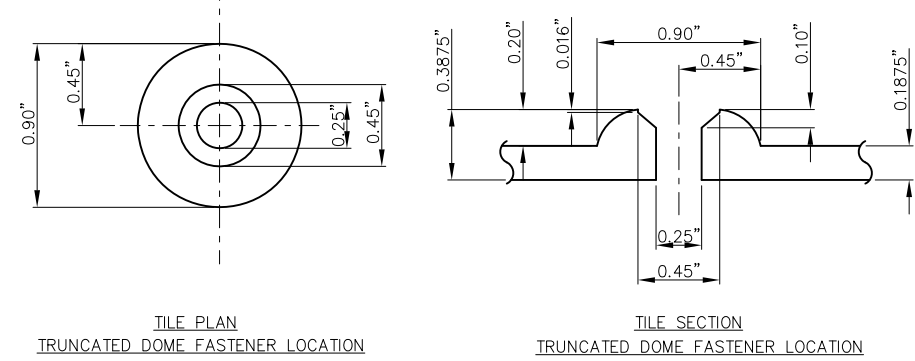
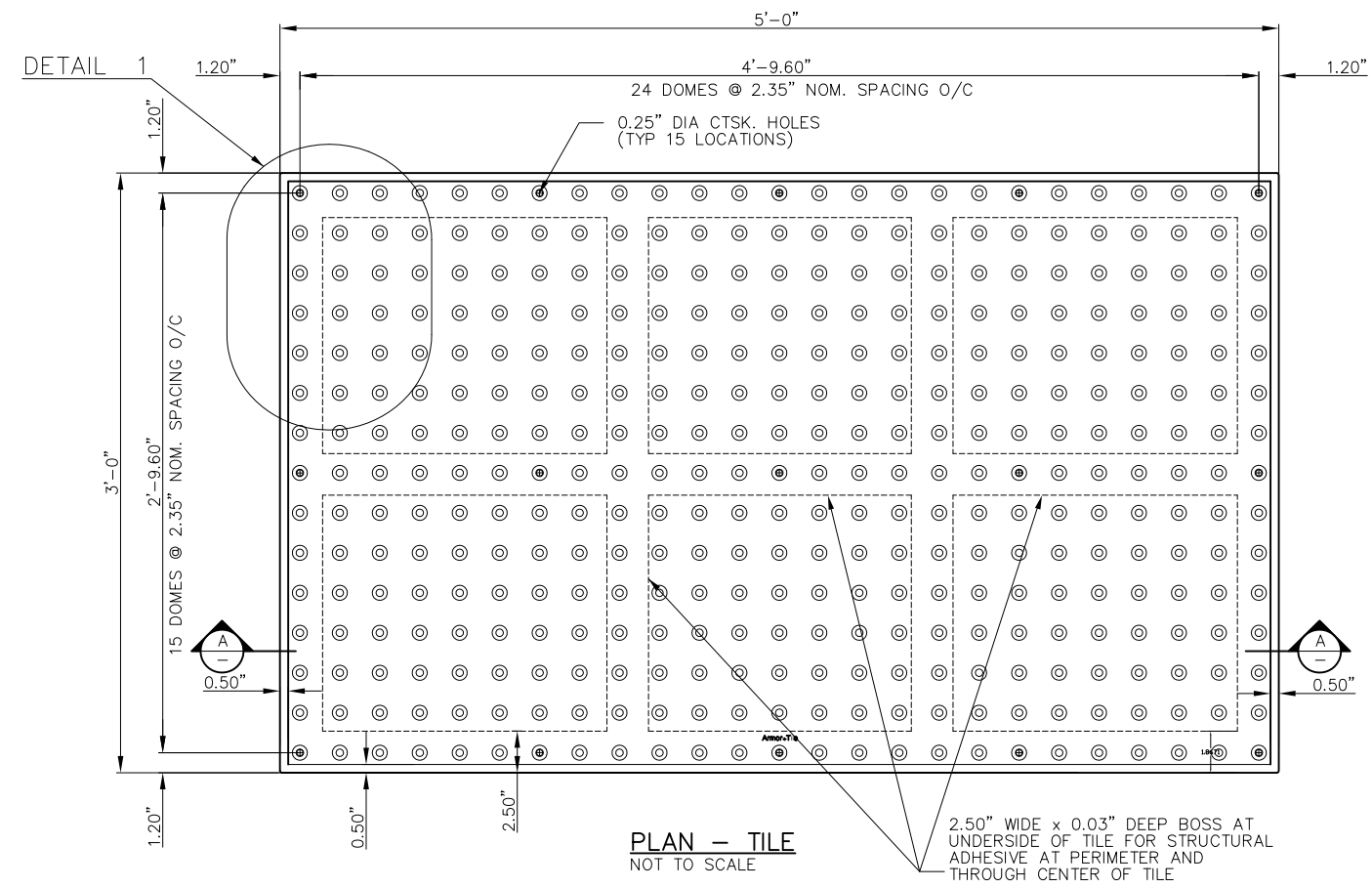
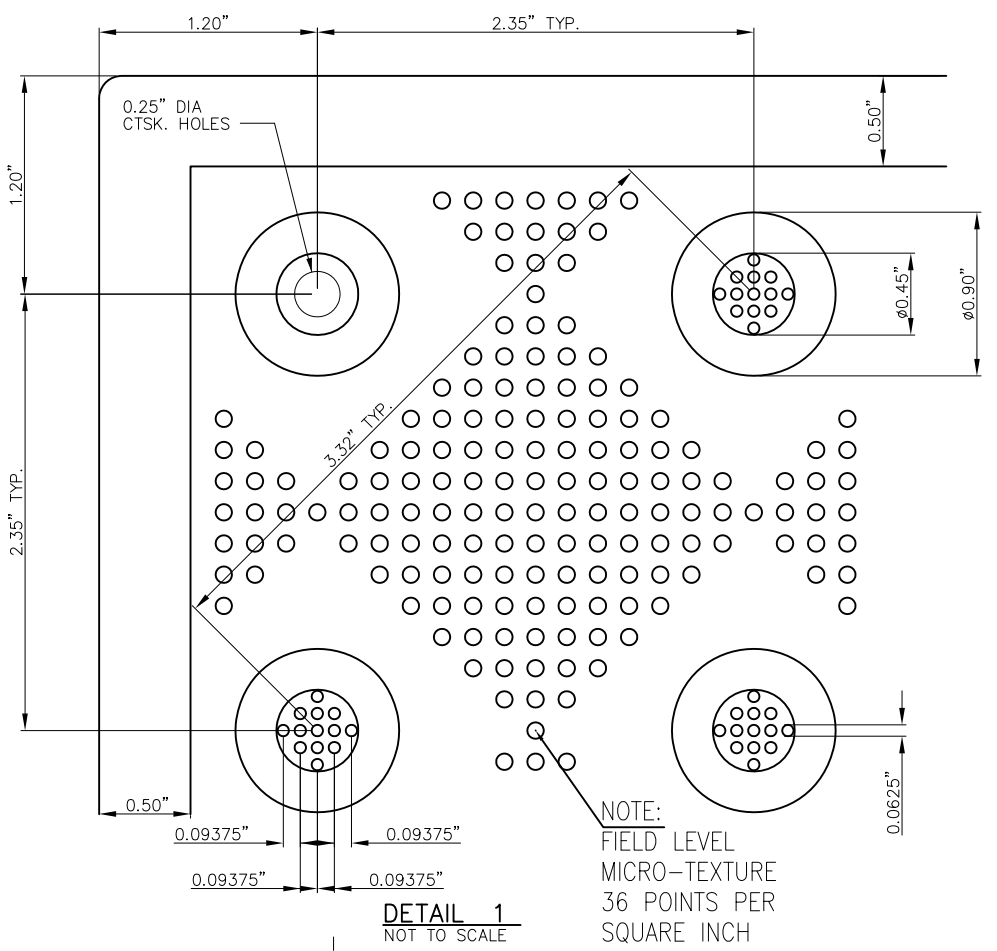
DESIGNED	BY K.S.	DATE 08/08/2013
DRAWN	D.G.	08/08/2013
CHECKED		

PROJECT MANAGER	
TRADE DETECTABLE WARNING SURFACE	PART No: ADA-S-3660-W
MATERIAL	VITRIFIED POLYMER COMPOSITE

SUBJECT
Armor-Tile™ ADA
 SOUND AMPLIFYING DETECTABLE/TACTILE
 WARNING SURFACE TILE

PROJECT
Armor-Tile™
 DETECTABLE/TACTILE
 WARNING SURFACE TILE
 36" x 60" SURFACE APPLIED
 INLINE DOME TACTILE TILE
 PLANS AND DETAILS

DRAWING No: ADA-S-3660W	REV. No: 0
----------------------------	---------------



APPLY TACTILE BOND AND SEAL (PART NO. TBS-010) PERIMETER SEALANT AT PERIMETER OF TILE AFTER INSTALLING FASTENERS. TOOL SMOOTH TO BLEND TILE EDGE WITH ADJACENT SURFACE

APPLY TACTILE BOND AND SEAL (PART NO. TBS-010) STRUCTURAL ADHESIVE AT PERIMETER AND THROUGH CENTER OF TILE EACH WAY ON BOSSSED AREAS

0.25" x 1.5" LG COLOR MATCHED EXPANSION ANCHOR (PART NO. ADA-S-ANCH)

SOUND-ON-CANE AMPLIFYING SYSTEM TYPICAL THROUGHOUT 0.03" x 0.875" DIA. TYP. @ 1.5"/1.75" O/C OFFSET

