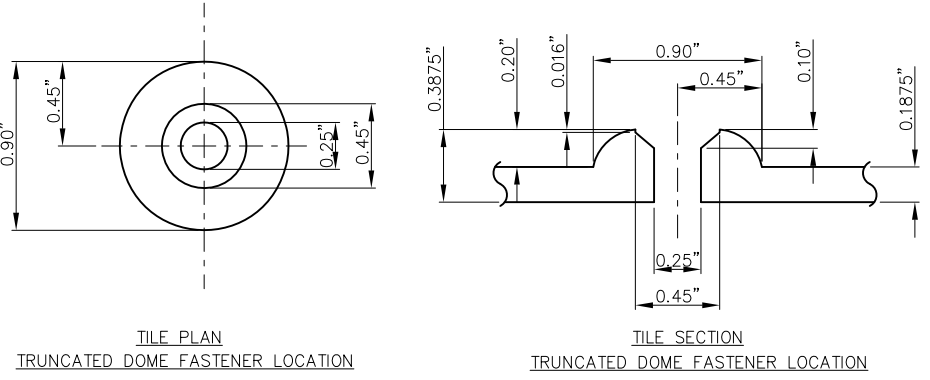


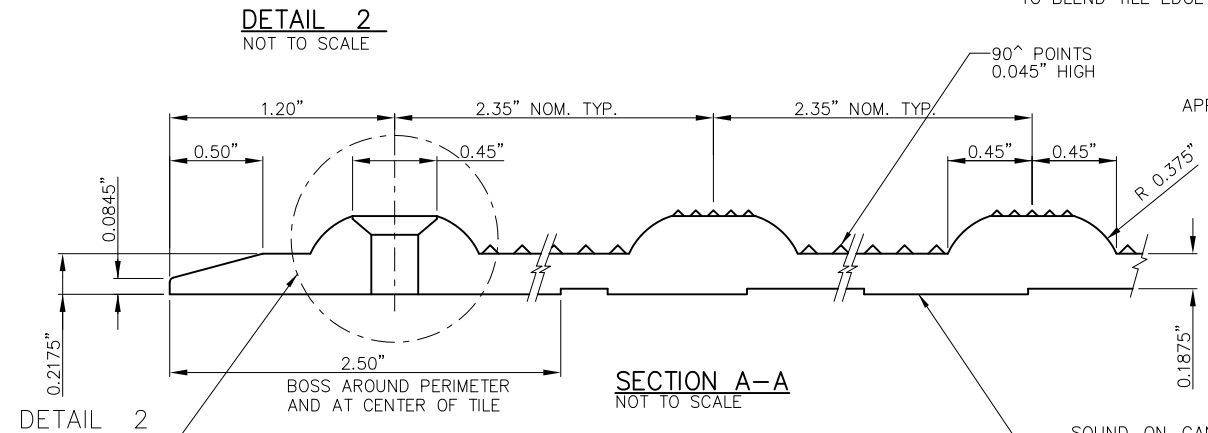
DETAIL 1  
NOT TO SCALE

NOTE:  
FIELD LEVEL  
MICRO-TEXTURE  
36 POINTS PER  
SQUARE INCH



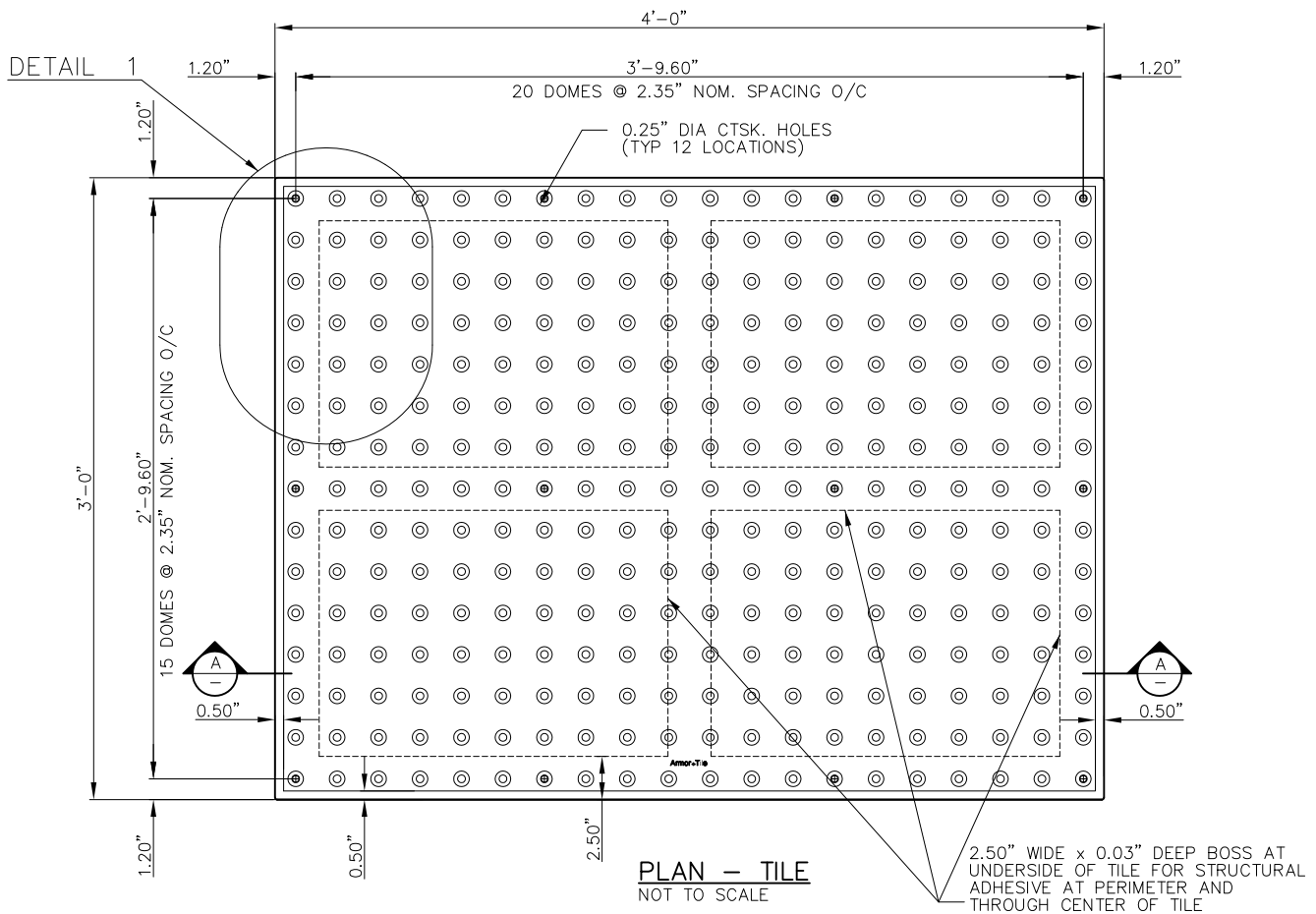
TILE PLAN  
TRUNCATED DOME FASTENER LOCATION

TILE SECTION  
TRUNCATED DOME FASTENER LOCATION

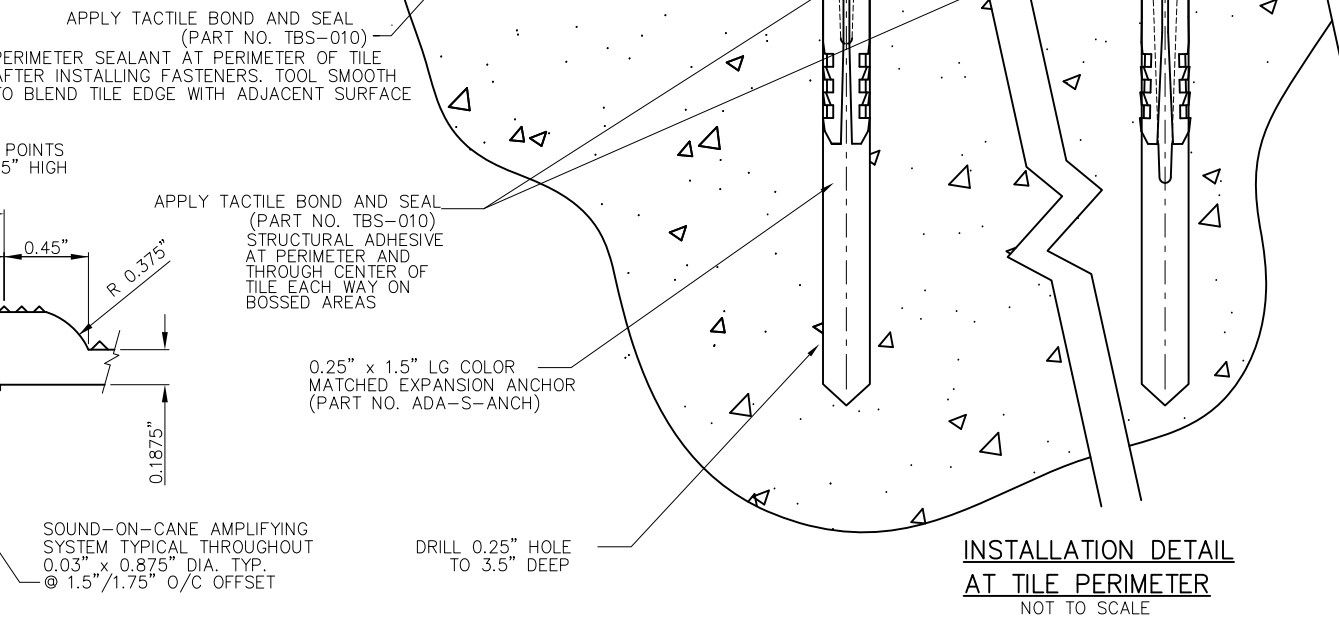


DETAIL 2  
NOT TO SCALE

SECTION A-A  
NOT TO SCALE



PLAN - TILE  
NOT TO SCALE



INSTALLATION DETAIL  
AT TILE PERIMETER  
NOT TO SCALE

© 2013 ENGINEERED PLASTICS  
CONFIDENTIAL AND PROPRIETARY DOCUMENT  
ANY ONE OR MORE OF THE FOLLOWING  
PATENTS MAY APPLY  
U. S. PATENT NO. 5,303,669, 5,775,835,  
6,449,790, AND 6,895,622 BS  
C.D.N. PATENT NO. 2,032,532, 2,070,984  
US PATENTS PENDING.  
© KENNETH E. SZEKELY

MATERIAL LIST

#	DESCRIPTION	PART No:	QTY
1	ARMOR-TILE	ADA-S-3648-W	1
2	EXPANSION ANCHOR	ADA-S-ANCH	12
3	TACTILE BOND AND SEAL	TBS-010	2

\*\* COLOR CODE  
YELLOW (YW), RED (RD), BLACK (BK),  
DARK GRAY (DG), LIGHT GRAY (LG),  
WHITE (WH), OCHRE YELLOW (OC),  
BLUE (BL), COLONIAL RED (CR)  
CUSTOM COLORS AVAILABLE

No:	DATE	REVISION	APPR.

SCALE

DESIGNED	BY	DATE
	K.S.	08/08/2013
DRAWN	BY	DATE
	D.G.	08/08/2013
CHECKED	BY	DATE

PROJECT MANAGER	
TRADE	PART No:
DETECTABLE WARNING SURFACE	ADA-S-3648-W
MATERIAL	VITRIFIED POLYMER COMPOSITE
SUBJECT	

**Armor-Tile ADA**  
SOUND AMPLIFYING DETECTABLE/TACTILE  
WARNING SURFACE TILE

PROJECT  
**Armor-Tile™**  
DETECTABLE/TACTILE  
WARNING SURFACE TILE  
36" x 48" SURFACE APPLIED  
INLINE DOME TACTILE TILE  
PLANS AND DETAILS

DRAWING No:	REV. No:
ADA-S-3648W	0