



MATERIAL LIST

#	DESCRIPTION	PART No:	QTY
1	ARMOR-TILE	ADA-S-2448-**	1
2	EXPANSION ANCHOR	ADA-FAST	8
3	ARMOR-BOND	ADA-ADHE-EA	1
4	ARMOR-SEAL	ADA-SEAL-EA	1

** COLOR CODE
 YELLOW (YW), RED (RD), BLACK (BK),
 DARK GRAY (DG), LIGHT GRAY (LG),
 WHITE (WH), OCHRE YELLOW (OC),
 BLUE (BL), COLONIAL RED (CR)
 CUSTOM COLORS AVAILABLE

No:	DATE	REVISION	APPR.

SCALE

DESIGNED BY	K.S.	DATE	
DRAWN BY	D.G.	07/15/2024	
CHECKED BY			

PROJECT MANAGER

TRADE: DETECTABLE WARNING SURFACE PART No: ADA-S-2448-**

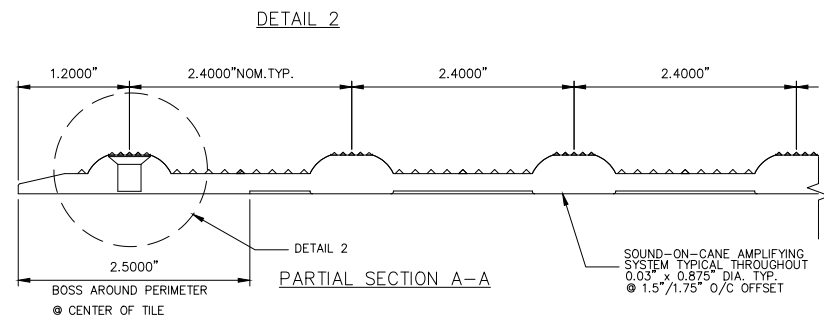
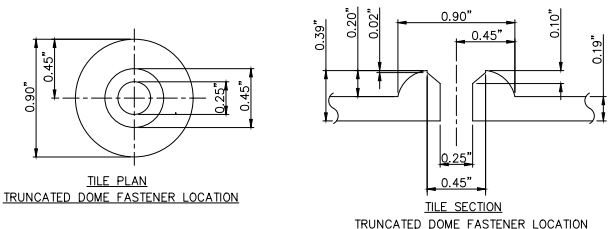
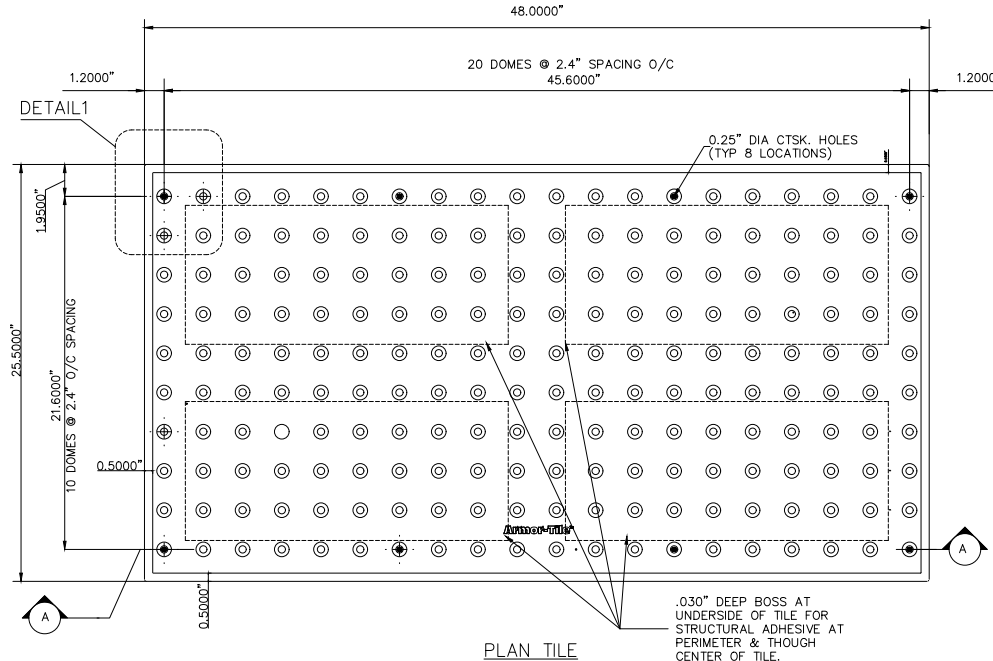
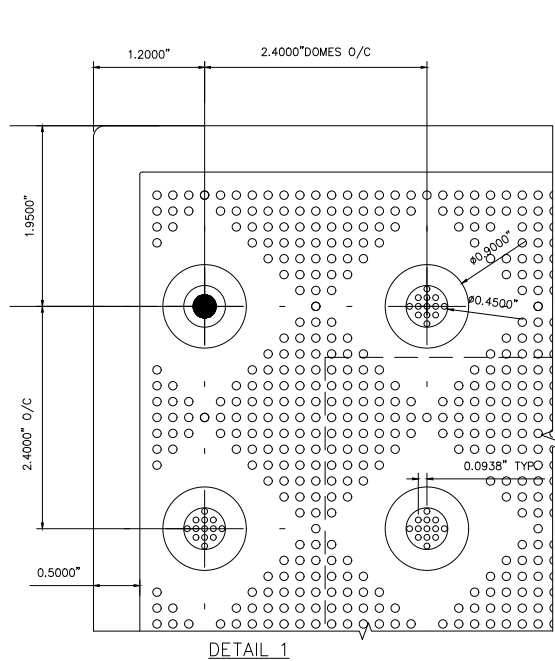
MATERIAL: FIBERGLASS REINFORCED POLYMER COMPOSITE
 SUBJECT: SOUND AMPLIFYING DETECTABLE/TACTILE WARNING SURFACE TILE

Armor-Tile™ ADA
 SOUND AMPLIFYING DETECTABLE/TACTILE WARNING SURFACE TILE

PROJECT

Armor-Tile™
 DETECTABLE/TACTILE WARNING SURFACE TILE
 24" x 48" SURFACE APPLIED INLINE DOME TACTILE TILE PLANS AND DETAILS

DRAWING No:	ADA-S-2448	REV. No:	1
-------------	------------	----------	---



APPLY ARMOR-SEAL (PART NO. ADA-S125) PERIMETER SEALANT AT PERIMETER OF TILE AFTER INSTALLING FASTENERS. TOOL SMOOTH TO BLEND TILE EDGE WITH ADJACENT SURFACE

APPLY ARMOR-BOND (PART NO. ADA-B125) STRUCTURAL ADHESIVE AT PERIMETER AND THROUGH CENTER OF TILE EACH WAY ON BOSSED AREAS

0.25" x 1.5" LG. COLOR MATCHED EXPANSION ANCHOR (PART NO. ADA-F406-**) DRILL 0.25" HOLE TO 3.5" DEEP

0.030" DEEP BOSS AT UNDERSIDE OF TILE FOR STRUCTURAL ADHESIVE AT PERIMETER & THROUGH CENTER OF TILE.

