

© 2006 ENGINEERED PLASTICS
CONFIDENTIAL AND PROPRIETARY DOCUMENT
ANY ONE OR MORE OF THE FOLLOWING
PATENTS MAY APPLY
U. S. PATENT NO. 5,303,669, 5,775,835,
6,449,790, AND 6,895,622 BS
C.D.N. PATENT NO. 2,032,532, 2,070,984
US PATENTS PENDING.
© KENNETH E. SZEKELY

MATERIAL LIST

#	DESCRIPTION	PART No:	QTY
1	ARMOR-TILE	ADA-C-3648W**	1

** COLOR CODE
YELLOW (YW), RED (RD), BLACK (BK),
DARK GRAY (DG), LIGHT GRAY (LG),
WHITE (WH), OCHRE YELLOW (OC),
BLUE (BL), COLONIAL RED (CR)
CUSTOM COLORS AVAILABLE

1.	DATE	REVISION	APPR.
2/27/2013	California Compliance		K.S.

SCALE

DESIGNED	BY	DATE
	K.S.	08/90
DRAWN	BY	DATE
	D.G.	2/22/2006
CHECKED		

PROJECT MANAGER

TRADE	PART No:
DETECTABLE WARNING SURFACE	ADA-C-3648W**

MATERIAL VITRIFIED POLYMER COMPOSITE

SUBJECT

Armor-Tile™ ADA

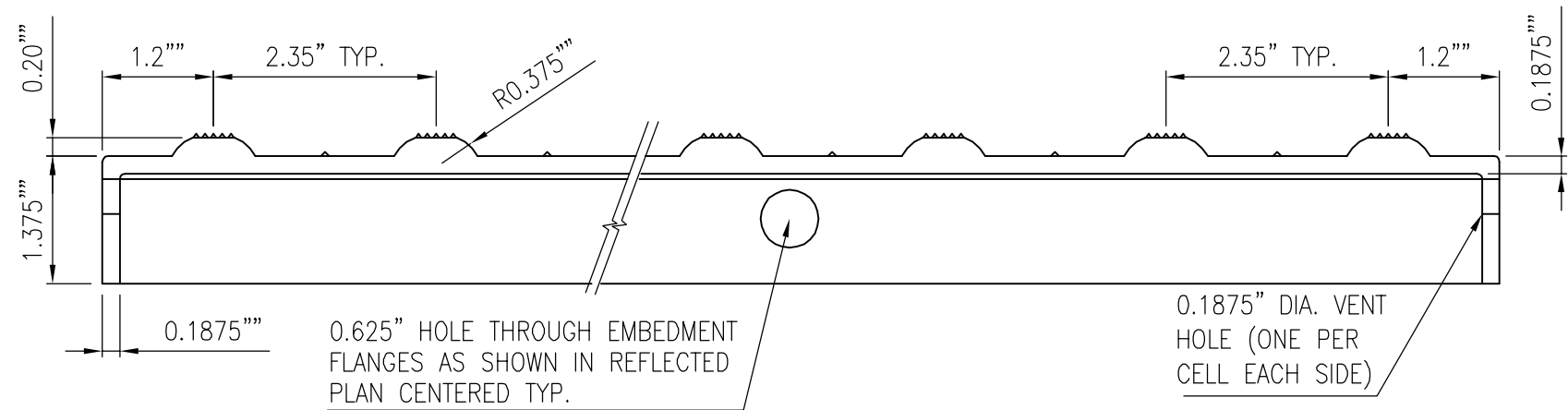
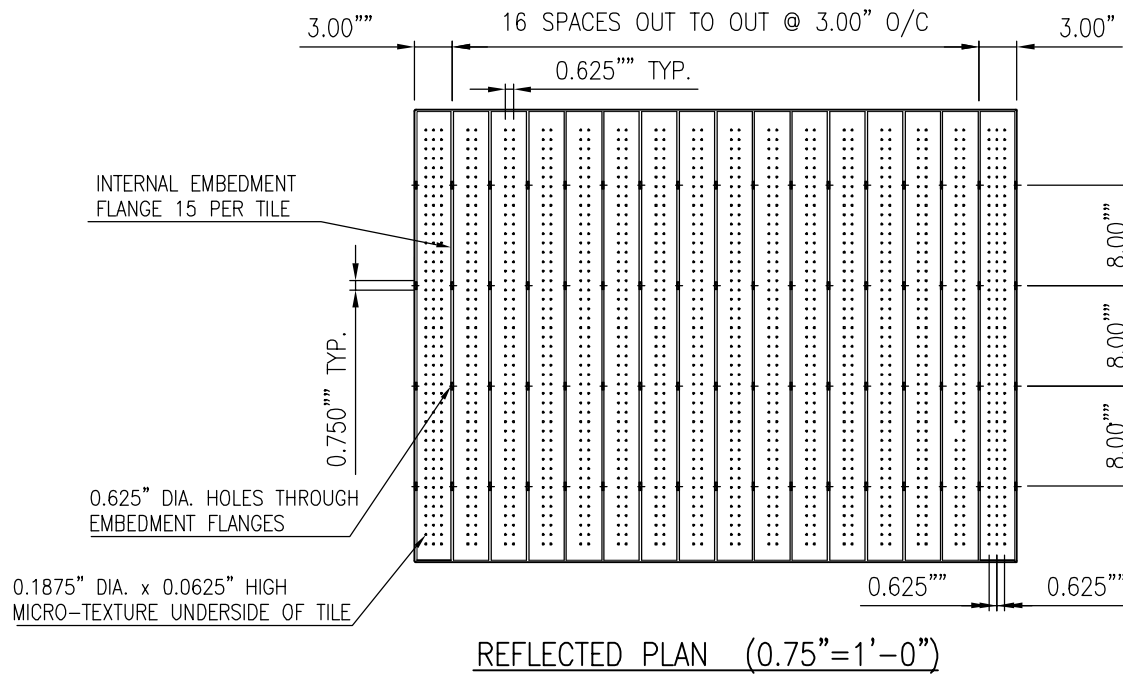
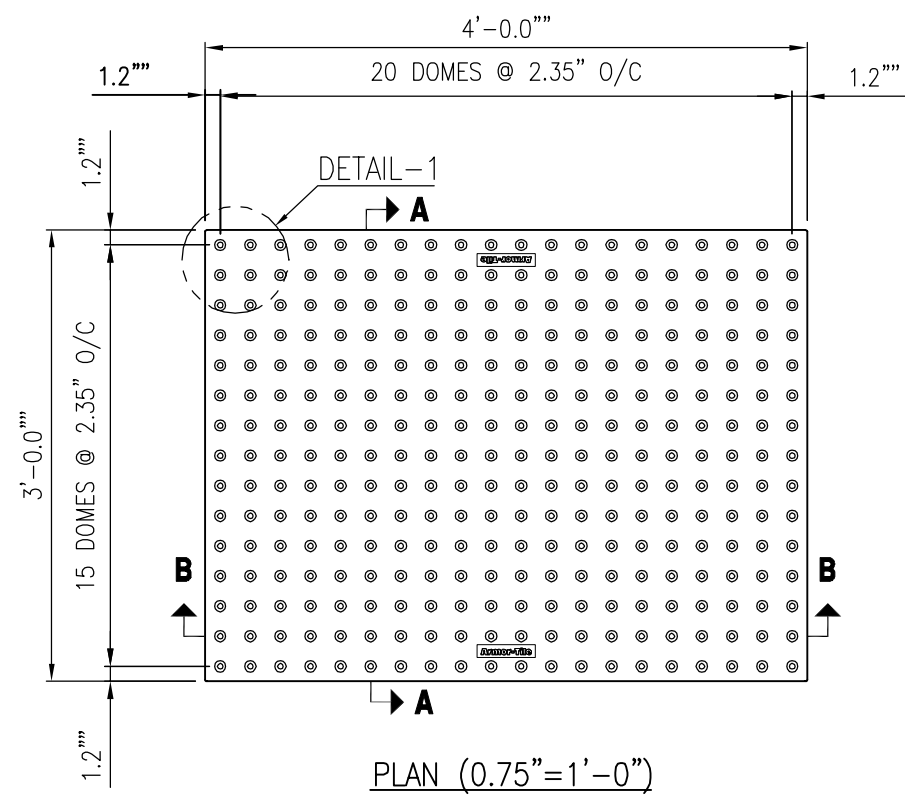
SOUND AMPLIFYING DETECTABLE/TACTILE
WARNING SURFACE TILE

PROJECT

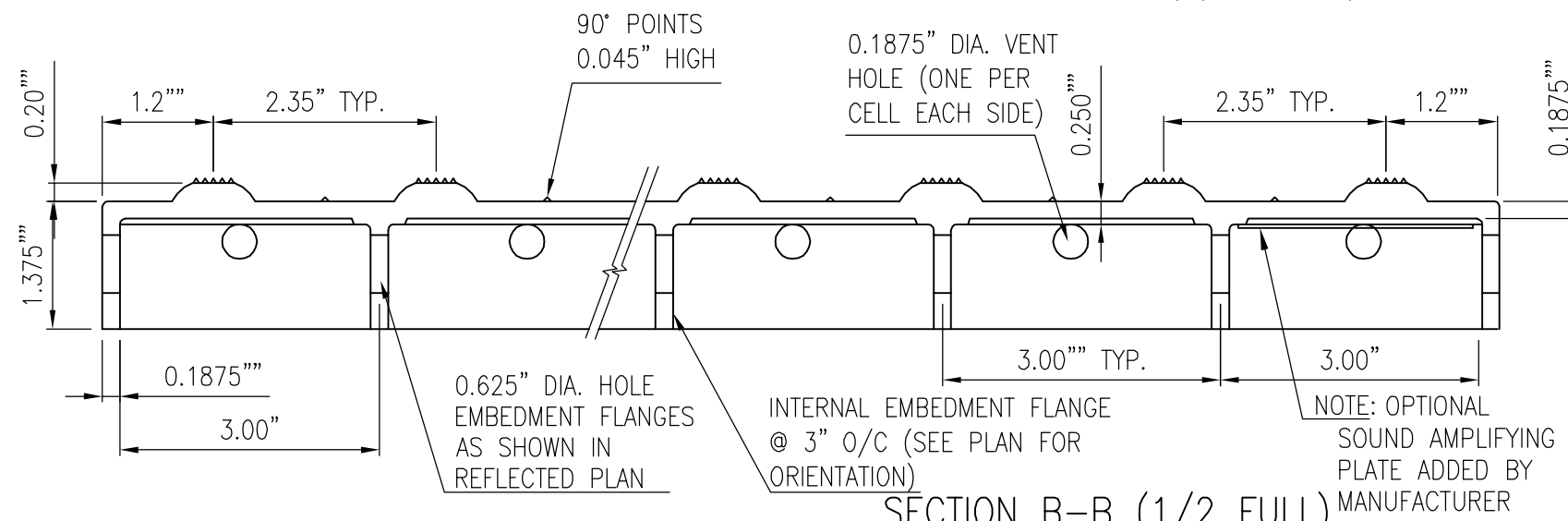
Armor-Tile™

DETECTABLE/TACTILE
WARNING SURFACE TILE
36" x 48" CAST IN PLACE
INLINE DOME TACTILE TILE
PLANS AND DETAILS

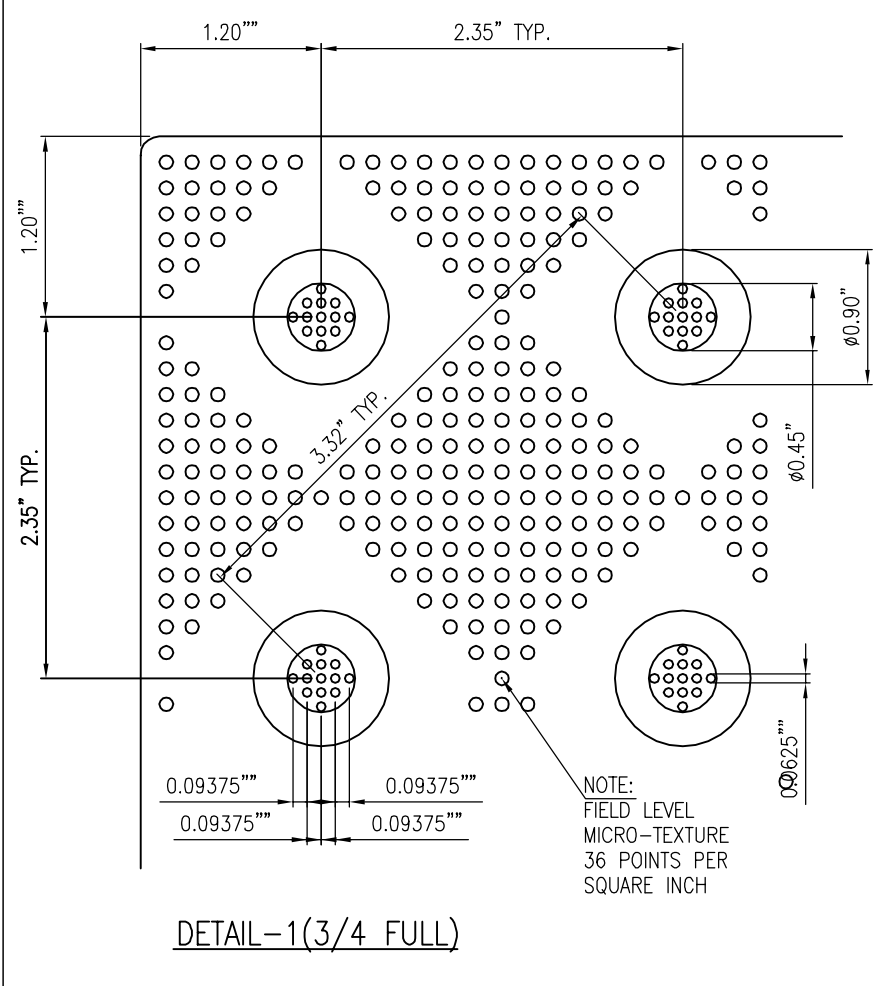
DRAWING No:	REV. No:
ADA-C-3648W	0



SECTION A-A (1/2 FULL)



SECTION B-B (1/2 FULL)



DETAIL-1 (3/4 FULL)