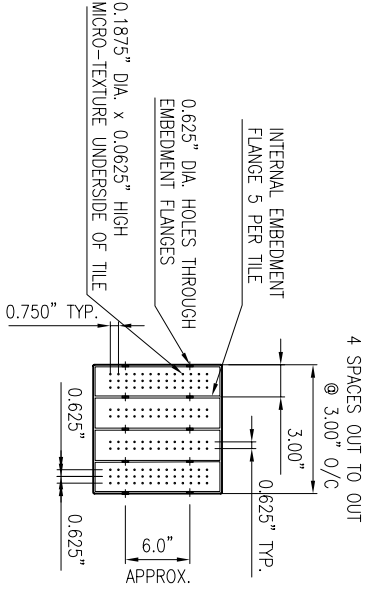
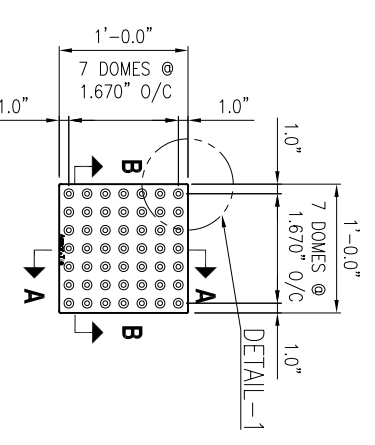


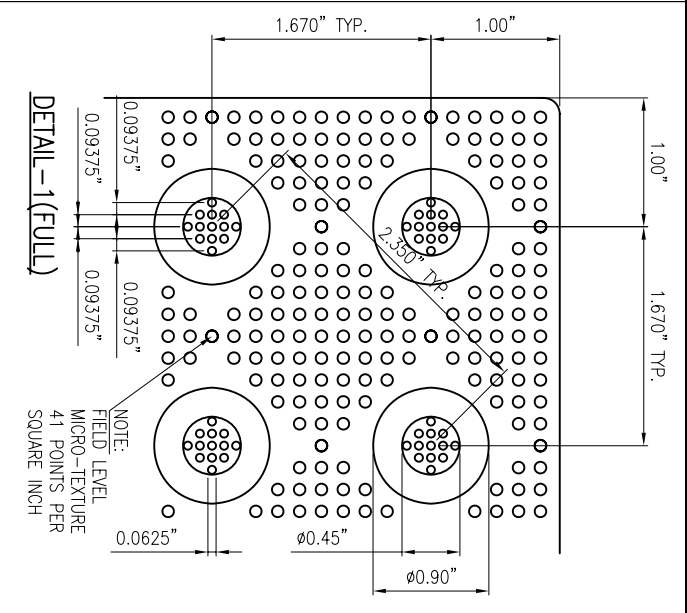
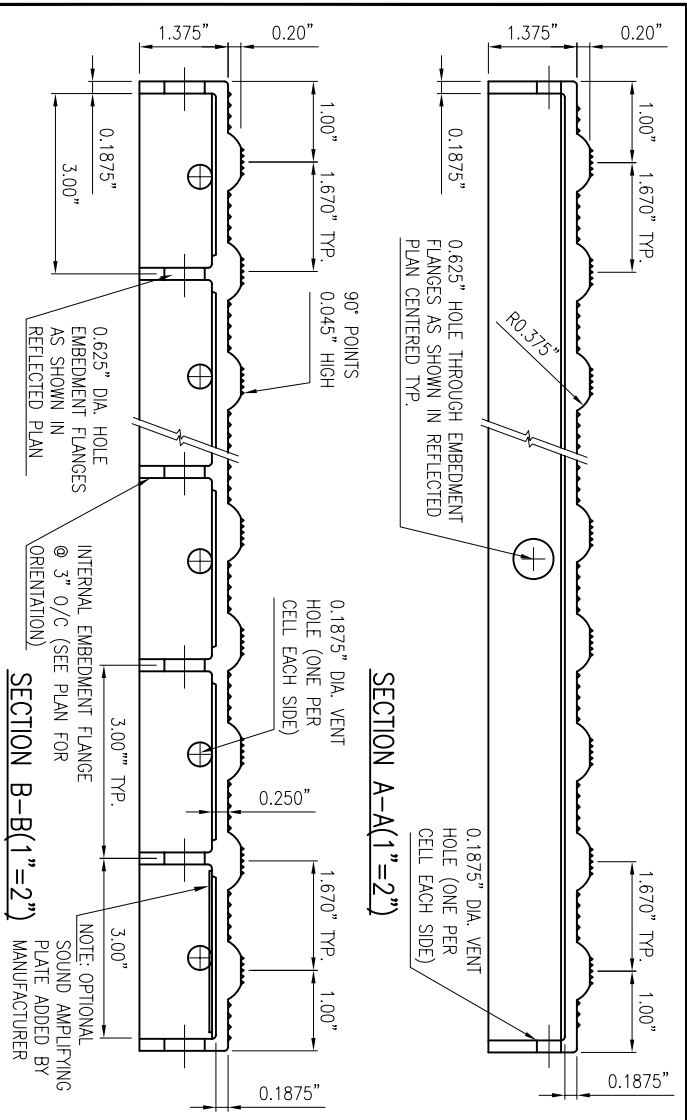


© 2006 ENGINEERED PLASTICS  
 CONFIDENTIAL AND PROPRIETARY DOCUMENT  
 ANY ONE OR MORE OF THE FOLLOWING PATENTS MAY APPLY  
 U. S. PATENT NO. 5,303,669, 5,775,835, 6,449,790, AND 6,895,622 B5  
 C.D.N. PATENT NO. 2,032,532, 2,070,984  
 US PATENTS PENDING.  
 © KENNETH E. SZEKELY



PLAN (1"=1'-0")

REFLECTED PLAN (1"=1'-0")



No.	DATE	REVISION	APPR.
SCALE			
DESIGNED	BY	DATE	
DRAWN	K.S.	08/90	
CHECKED	D.G.	2/22/2006	
PROJECT NUMBER			
TITLE	PART No.		
DETECTABLE WARNING SURFACE ADA-C-1212-**			
MATERIAL			
VITRIFIED POLYMER COMPOSITE			
SUBJECT			
<b>Armor-Tile™ ADA</b>			
SOUND AMPLIFYING DETECTABLE/TACTILE WARNING SURFACE TILE			
PROJECT			
<b>Armor-Tile™</b>			
DETECTABLE/TACTILE WARNING SURFACE TILE			
12" x 12" CAST IN PLACE INLINE DOME TACTILE TILE PLANS AND DETAILS			
ISSUING No.:	ADA-C-1212	REV. No.:	0

\*\* COLOR CODE  
 YELLOW (YW), RED (RD), BLACK (BK), DARK GREY (DG), LIGHT GREY (LG), WHITE (WH), OCRE YELLOW (OY), BLUE (BL), COGNAC, RED (CR)  
 CUSTOM COLORS AVAILABLE